

Stolle SABER

trimmer

Pre-owned almost new trimmer for 2-piece can aluminum or steel bodies with 3 trimming heads and carbide knives. Toolsets for 202 and 211 dia STD and SLIM CAN. The machine is currently set-up for can size of: 50cl f66/52 mm 211/202/202 STD CAN (Body/Dome/Neck).

Technical specifications

CazProductNumber CPN	6279
Name	Stolle SABER
Tooling	52 & 65 mm
Year of Construction	2016
Can height min.	89 mm
Can height max.	187 mm
Can / Ends diameter minimum	54 mm
Can / Ends diameter maximum	68 mm
Can shape	round
Speed (up to)	400 cans per minute

Videos

Find the video on our website at the following URL:

<https://www.cazander.com/products/6279-stolle-saber-trimmer>

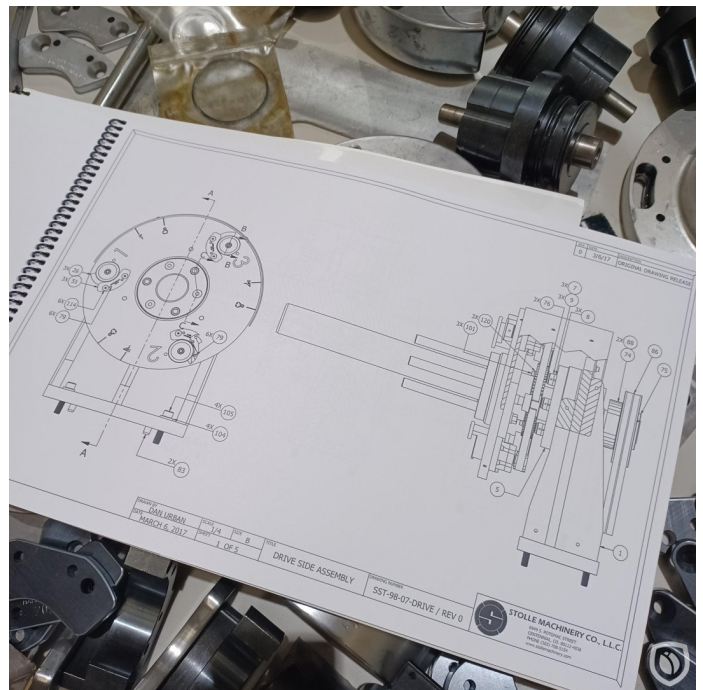
Photos

Follow us:







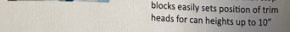


Stolle Trimmer

PRODUCT INFORMATION

The Stolle Trimmer represents the next generation of trimmers for 2-piece can aluminum or steel bodies. Featuring a unique new mechanical design, this machine provides maximum flexibility to canmakers that produce multiple can sizes. Rather than moving the cans into the knives like other trimmers, the Stolle Trimmer features stationary can pads and moving trimming heads that move the knives to the cans. The bottom of the cans remain in the same alignment to the domer in bodymaker, which allows for simpler and more reliable crossover trackwork. This technology also makes it much simpler to change can heights – a slide base allows the 3 trimming heads to be easily repositioned for different can heights with no change parts needed. The machine is designed to trim DWI cans and bottle preforms up to 10" high.

A unique vacuum starwheel positively transfers infedding cans to the vacuum can pads which rotate the cans as they are contacted by the trim cartridges. The simpler, more robust cutting mechanism in each trimming head features fixed inner and outer knife centers. The 3 trimming heads are easily removable for maintenance and access to the knives for sharpening and/or replacement. The machine is driven by a heavy duty gear-reduced drive mechanism that does not require a brake. The all stainless steel enclosure and guarding is designed for easy access to all the machine internals, while providing effective coolant containment with a drip tray.



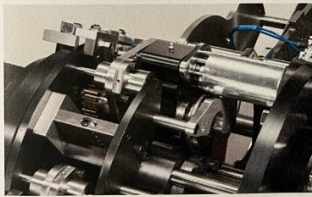
Above Left: Three piece vacuum infeed starwheel allows diameter size change without removing the shaft or side plate - keyed design retains starwheel timing

Above Right: Can infeed and discharge guides are quickly adjustable for different can heights

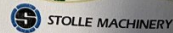
Far Left: The Stolle Trimmer moves the trim heads to the can bodies which stay in alignment with the domer

Left Above: Can base pad removes with single bolt to access adjustment shims

Left Below: Slide base with stop blocks easily sets position of trim heads for can heights up to 10"



TECHNOLOGY LEADERSHIP IN CAN & END MAKING



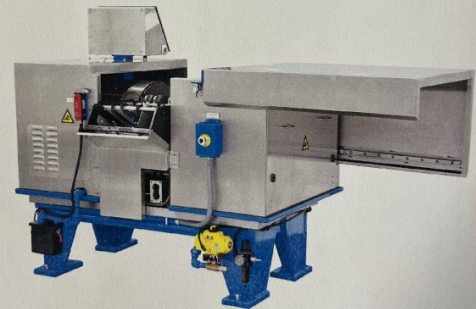
Copyright 2023 Stolle Machinery Company. All Rights Reserved

SUSTAINABLE TECHNOLOGY

Stolle Trimmer

Specifications

Can Diameter	202 (54mm) – 211 (68mm) with change parts (not included)
Can Height	306 (89mm) to 706 (187mm)
Trimming Heads	3
Knives	Carbide
Dimensions	60"L x 42"W x 52"H (152 x 107 x 132 cm)
Weight (approximate)	3675 lbs (1667 kg) – 3800 lbs including crate
Electrical Power Requirements	380-480 volts – 3 phase – 50/60 Hz (per Customer's requirement), 15 amp service
Air Supply Requirements	15 SCFM @ 70-90 PSI
Vacuum - Chucks	25 SCFM @ 20 in. Hg.
Vacuum - Scrap Discharge	175 SCFM @ 1.5 in. Hg.
Infeed and Discharge Rails	8" – easily adjustable for different can heights
Controls	Machine-mounted control console, Allen-Bradley components, 24 VDC



Mark Leaf – Primary Product Contact
+1 303-708-5103 • mark.leaf@stollemachinery.com

Zach Hart – Secondary Product Contact
+1 303-708-5154 • zach.hart@stollemachinery.com

Mike Fitzgerald – Spare Parts
+1 303-708-5169 • mike.fitzgerald@stollemachinery.com

Chris Salazar – Field Service
+1 303-708-5144 • chris.salazar@stollemachinery.com



Stolle Machinery Company
6949 South Potomac Street, Centennial, CO 80112 USA
303.708.9044 – Fax 303.708.9045
sales@stollemachinery.com – www.stollemachinery.com

